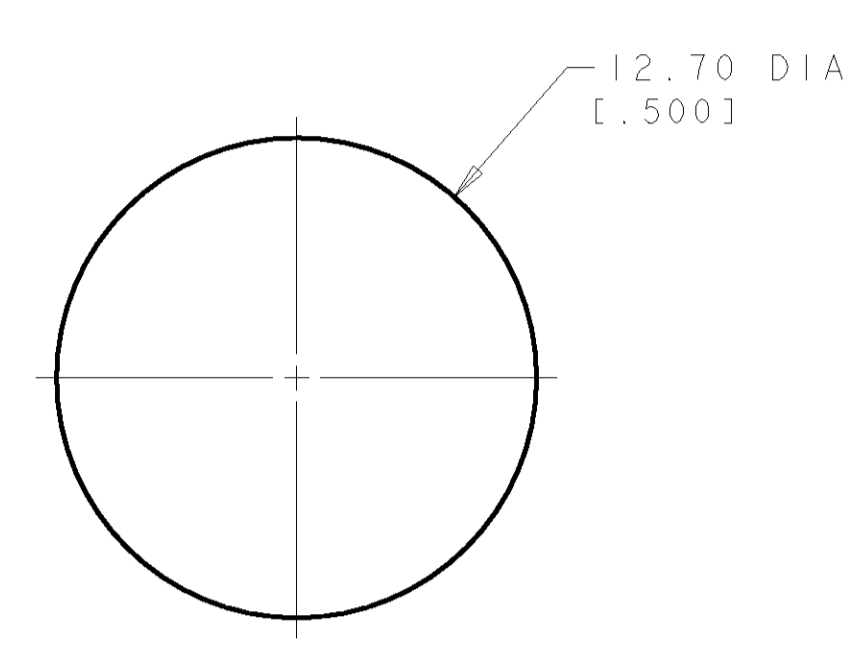
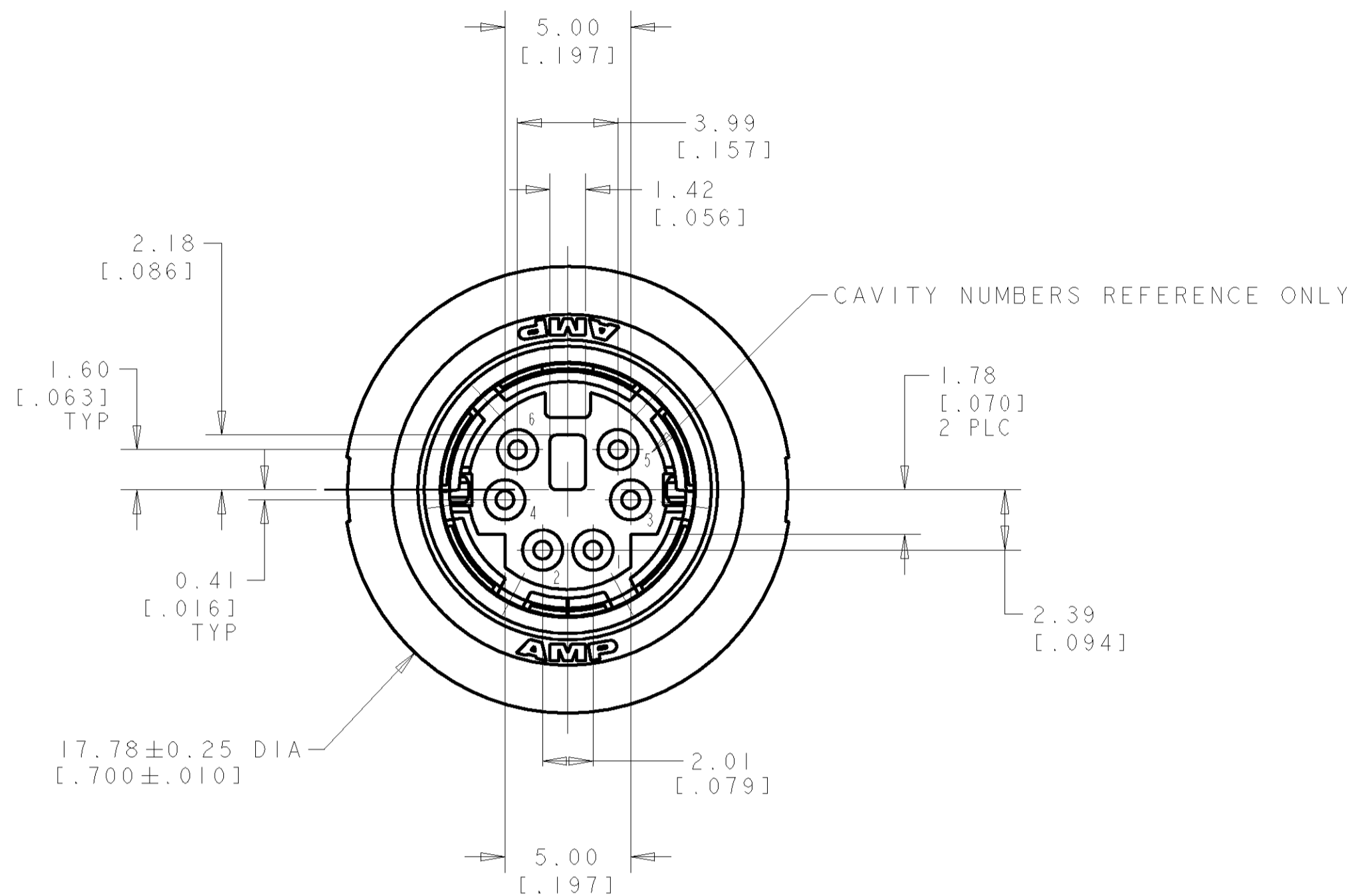
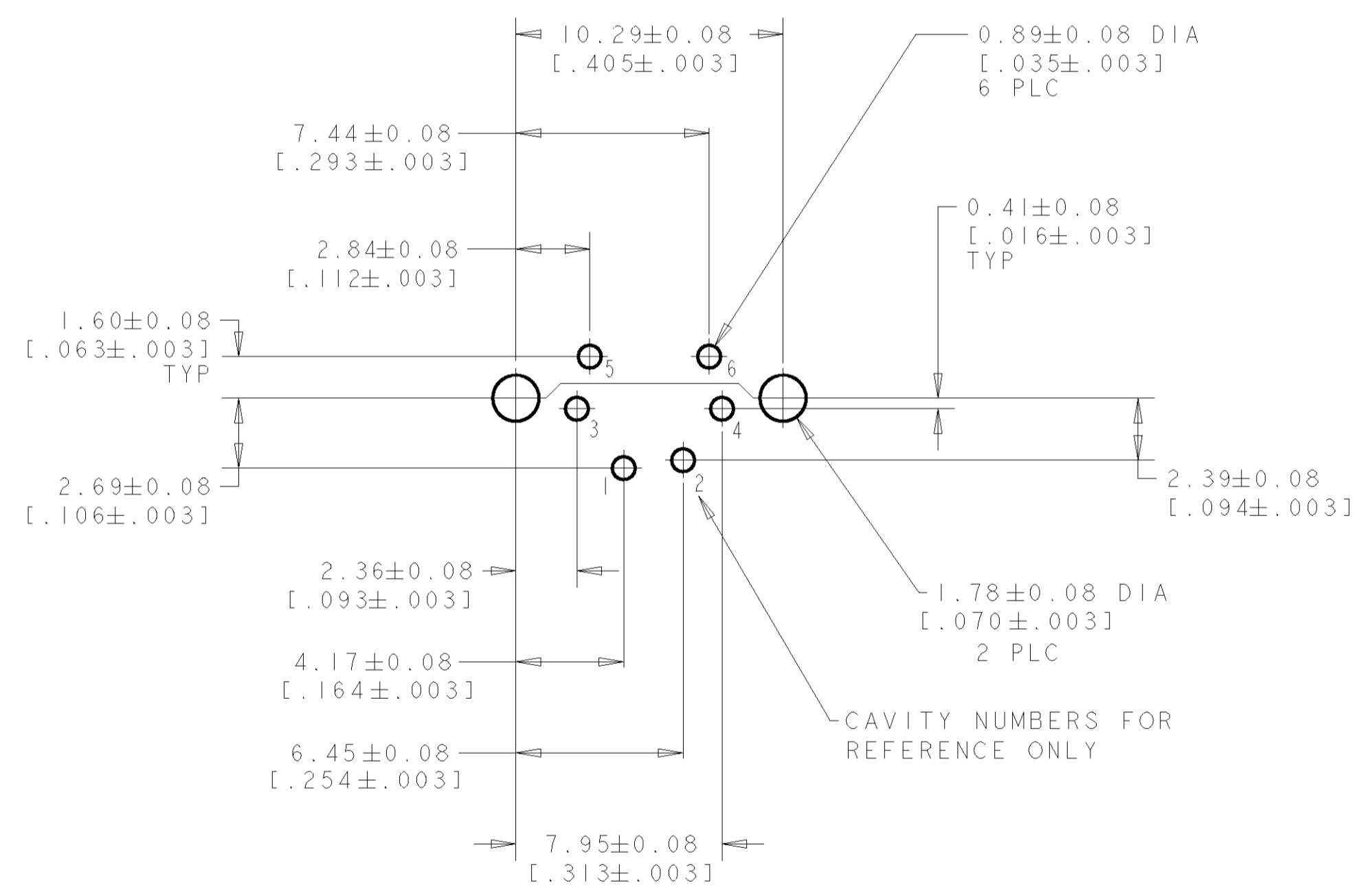
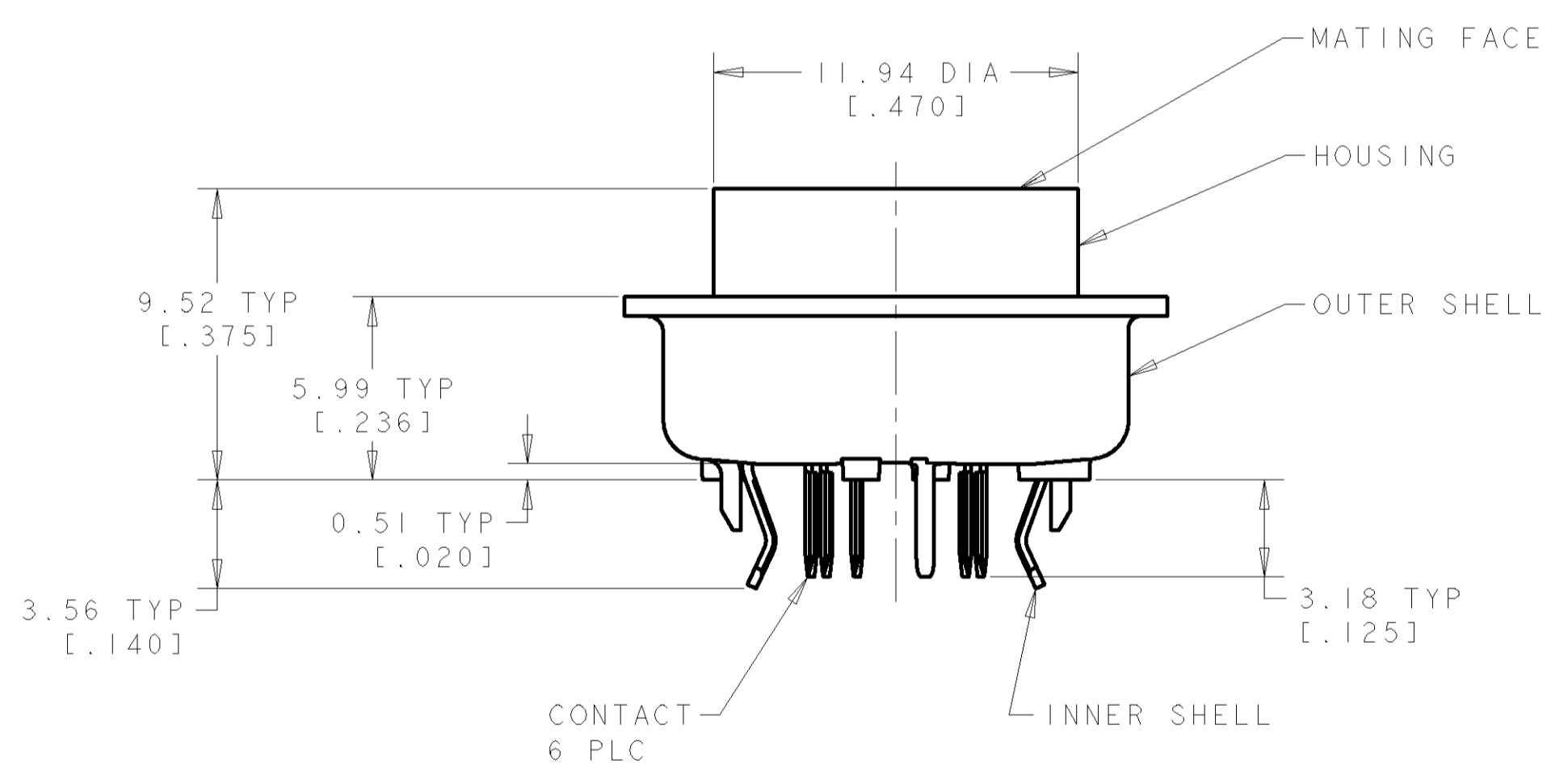


REVISONS		DATE	DNM	APRD
LOC	DIST	DESCRIPTION		
0		NPR FP00-0216-04	31AUG2004	LWY LSF

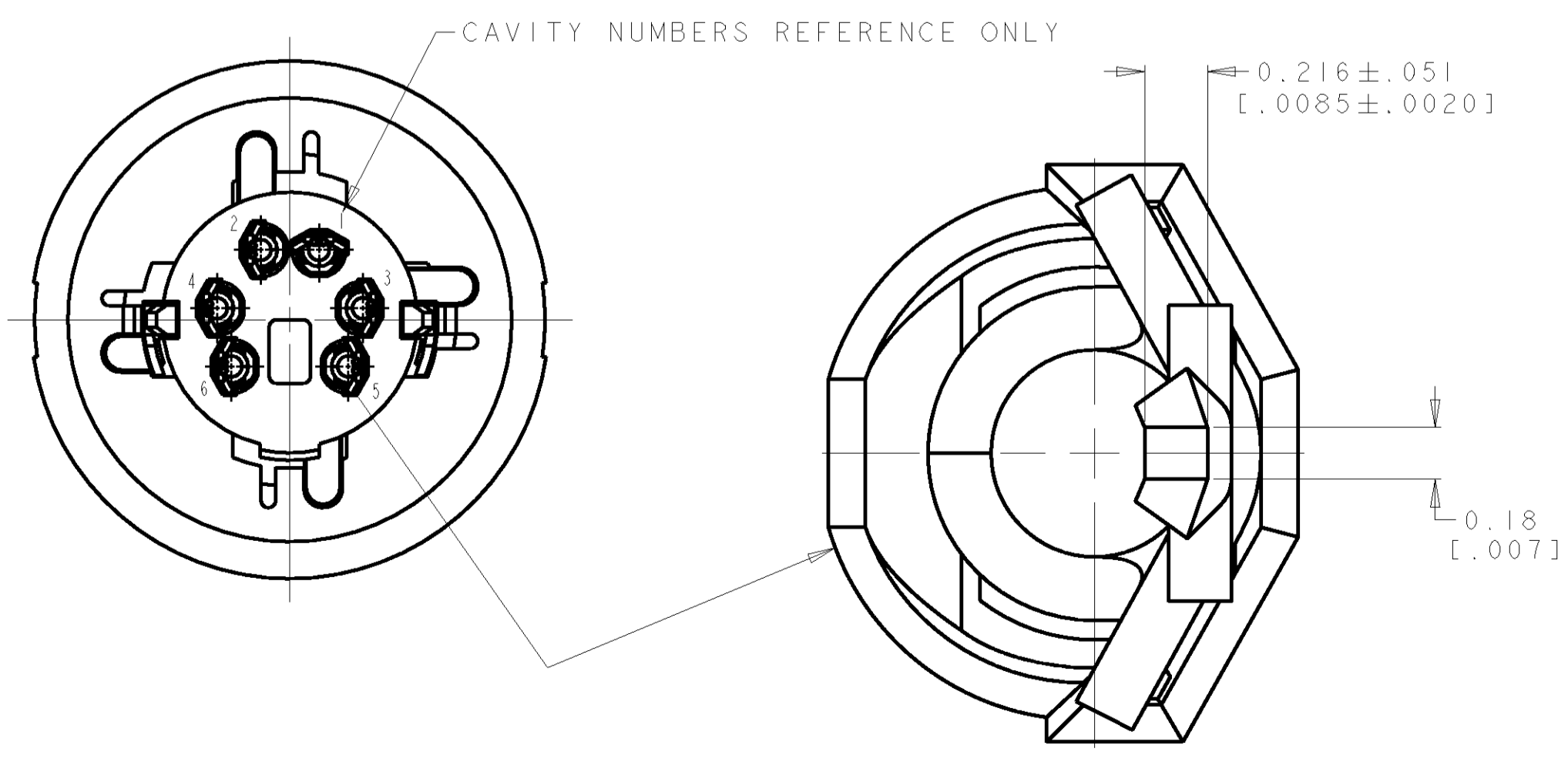


RECOMMENDED PANEL CUT-OUT

- 1 SHELLS: BRASS; CONTACTS: PHOSPHOR BRONZE; HOUSING: POLYESTER, UL 94V-0 RATED, BLACK.
- 2 0.76 μm [.000030] MIN GOLD ON MATING END FOR A LENGTH OF 1.37 [.054] MIN ON INSIDE, 2.54 μm [.000100] MIN TIN FOR A LENGTH OF 3.30 [.130] MIN FROM OPPOSITE END, ALL OVER 1.27 μm [.000050] MIN NICKEL.
- 3 0.38 μm [.000015] MIN GOLD ON MATING END FOR A LENGTH OF 1.37 [.054] MIN ON INSIDE, 2.54 μm [.000100] MIN TIN FOR A LENGTH OF 3.30 [.130] MIN FROM OPPOSITE END, ALL OVER 1.27 μm [.000050] MIN NICKEL.
- 4 RECEPTACLE ASSEMBLY MATES WITH 6 PIN, 8.99±0.10 [.354±.004] DIAMETER PLUG.



RECOMMENDED PC BOARD LAYOUT  
BOTTOM VIEW



6 PLC  
SCALE 50:1

<small>THIS DRAWING IS A CONTROLLED DOCUMENT FOR AMP INCORPORATED. ALL INFORMATION CONTAINED HEREIN IS UNCLASSIFIED UNLESS INDICATED OTHERWISE. FOR MORE INFORMATION CONTACT THE CONTROLLING ENGINEER OR QUALIFICATION SHOULD BE CONTACTED FOR THE LATEST REVISION.</small>		DWN: WYLEE CBY: SF LEONG APD: SF LEONG	30AUG2004 NAME: RECEPTACLE ASSEMBLY, 6 POSN, LOW FLANGE, SHIELDED, VERTICAL, MINIATURE CIRCULAR DIN
DIMENSIONS: mm [INCHES]	TOLERANCES UNLESS OTHERWISE SPECIFIED:	PRODUCT SPEC:	Tyco Electronics Singapore Pte. Ltd.
0 PLC ± 1 PLC ± 2 PLC ±0.13 [.005] 3 PLC ± 4 PLC ± ANGLES ±	APPLICATION SPEC:	WEIGHT:	SCALE: 5:1
MATERIAL:	FINISH:	CUSTOMER DRAWING:	SHEET 1 OF 1 REV 0